

# MEI AE 2600 BILL ACCEPTOR



## User-friendly

It's the device your customers can trust to perform reliably—time and time again. The low jam rate, high acceptance rate, and increased bill capacity mean more transactions, less customer frustration and greater profits.

## Enhanced security

Borrowing from our gaming industry expertise, we've applied the same high-security technology to the AE 2600 bill acceptor. Our **enhanced** multi-wavelength optics and sophisticated data processing combine to make the AE 2600 a superior value. MEI's current products do not rely on older magnetic technology to provide protection against counterfeit currency but rather, fully encased, optical sensors that use advanced algorithms to reduce the acceptance of counterfeit currency and ensure consistent, high-quality recognition. The AE 2600 bill acceptor's sensors greatly reduce vulnerability to both "yank cheating" and invalid bills.

## High four-way acceptance rate

Satisfy customers by accepting torn, wrinkled, faded, damp, dirty, limp, spindled or mutilated bills. Little or no bill preparation is required and bills can be fed four ways (in either direction, faceup or down).

## Vending coupons

The MEI coupon program provides custom and generic coupons for free vends or dollar-value vends. The MEI coupon solution uses a unique security coding process to prevent coupons from crossing into competing companies' operations.

## Low maintenance

The streamlined recognition system features sensors embedded under a sealed plastic bill path and elimination of the magnetic head and pinch roller—dramatically reducing debris buildup and the need for cleaning.

## Resists vandalism

The AE 2600's enclosed sensors are designed to divert the liquid from "salting" attempts. If "salted," the bill acceptor is designed to recover without the need for a service call—continuing to operate and satisfy customers. And, the coin-resistant bezel design prevents coins from getting jammed when inadvertently inserted. Plus, an optional Armored bezel for protection against breaking is available.

## Easy, time-saving setup

The AE 2600 bill acceptor's design ensures convenient access to all switches. Easy-to-read labels explain switch settings. With the AE 2600, options can be easily customized on location via a simple-to-use configuration coupon.

## MEI FLASHPORT™ for future flexibility

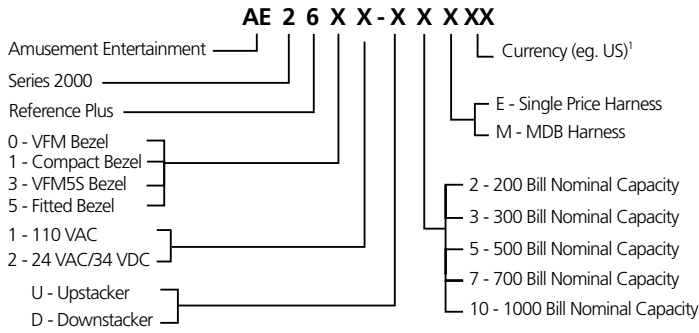
The AE 2600 accepts \$1, \$2, \$5, \$10 and \$20 bills in circulation. Also, the unit's re-programmable flash memory enables quick, easy updates of software files such as new currency designs or value coupons.



[www.meiglobal.com](http://www.meiglobal.com)

# AE 2600 MODEL CONFIGURATION

## AE 2600 Model Configuration Sample



## AE 2600 BILL ACCEPTOR SPECIFICATIONS

### Acceptance Rate

95% or greater for \$1, \$2, \$5, \$10, and \$20 U.S. bills<sup>2</sup>

### Acceptance Rate

Lengthwise, four-way (faceup/down, either direction)

### Transaction Speed

Approximately 4 seconds (from bill insertion to completed bill-stacking)

### Interfaces

MEI Serial Protocol and MDB  
Multiple Pulse—Vending  
Multiple Pulse—Gaming

<sup>1</sup> Call MEI for other currency options

<sup>2</sup> Acceptance at nominal conditions

<sup>3</sup> Maximum Relative Humidity of 50% at extreme temperatures



Options can be easily customized on location via a simple-to-use configuration coupon.



The fully enclosed, optical sensors ensure consistent, high-quality recognition, security and value.



The MEI coupon program provides custom and generic coupons for free vends or dollar-value vends.

For additional technical specifications, contact MEI or contact:

Representative:

### UNITED STATES

MEI  
1301 Wilson Drive  
West Chester, Pennsylvania 19380  
Tel: 1-610-430-2500  
1-800-345-8215  
Fax: 1-610-430-2694

### UNITED KINGDOM

MEI  
Eskdale Road  
Winnersh Triangle  
Wokingham  
Berkshire, RG41 5AQ, England  
Tel: +44 (0)1189 697 700  
Fax: +44 (0)1189 692 668

### MEXICO

MEI  
Queretaro Plant  
Av. Santa Rosa de Vitebo #10  
Parque Industrial Finsa-Queretaro  
El Marques, Qro, Mexico C.P. 76246  
Tel: 52 42 382000  
Fax: 52 42 3820-01

### SWITZERLAND

MEI  
109, ch. Pont-du-Centenaire  
Plan-les-Ouates  
P.O. Box 2650  
1211 Geneva 2, Switzerland  
Tel: 41 22 884 0505  
Fax: 41 22 884 0504

WEB SITE: [www.meiglobal.com](http://www.meiglobal.com)

TECHNICAL SUPPORT: [meitech.support@effem.com](mailto:meitech.support@effem.com)

CUSTOMER SUPPORT: [meicustomer.service@effem.com](mailto:meicustomer.service@effem.com)

The MEI Device is a registered mark. Information is subject to change without notice. MEI has made every effort to ensure that the information in this document is accurate. However, we cannot be held responsible for any errors or omissions.

©2004 Mars, Incorporated. All rights reserved.

**mei**<sup>TM</sup>  
[www.meiglobal.com](http://www.meiglobal.com)

MEI is ISO 9001 certified.



## AE 2600 Options/Accessories

Part Number	Description
250066027	Series 2000 Locking Hasp Kit (two per box)
91-16-159-4	Mounting Kit (Metal Door)
01-12-139	Gaming Interface Kit
250072034	RS 232 External interface Box

## AE 2600 Magazine Options

Part Number	Description
<i>Upstacker:</i>	
250063015	200 Bill Magazine
250061016	300 Bill Magazine
250069017	500 Bill Magazine
250068021	700 Bill Magazine
250060086P	1000 Bill Magazine (pack of four)
<i>Downstacker:</i>	
250060042	500 Bill Magazine
250068043	700 Bill Magazine
250015086	1000 Bill Magazine

## Power Sources

90 to 135 VAC, 60 Hz or 18 to 28 VAC, 60 Hz, 22 to 45 VDC

## Power Consumption

**Standby:** 5 Watts, **Acceptance:** 10 Watts, **Full Stack Max:** 50 Watts

## Escrow

One bill

## Approximate Shipping Weight

4 pounds

## Environment

**Operating temperature:** -15° C to 60° C

**Storage temperature:** -40° C to 70° C

**Humidity:** 5% to 95% Relative Humidity (non-condensing)<sup>3</sup>