

MEI VN 2500 BILL ACCEPTOR



User-friendly

It's the device your customers can trust to perform reliably—time and time again. The low jam rate, high acceptance rate, and increased bill capacity mean more transactions, less customer frustration and greater vending profits.

Enhanced security

Borrowing from our gaming industry expertise, we've applied the same high-security technology to the VN 2500 bill acceptor. Our **enhanced** multi-wavelength optics and sophisticated data processing combine to make the VN 2500 a superior value. MEI's current products do not rely on older magnetic technology to provide protection against counterfeit currency but rather, fully encased, optical sensors that rely on advanced algorithms to reduce the acceptance of counterfeit currency and ensure consistent, high-quality recognition. The VN 2500 bill acceptor's sensors greatly reduce vulnerability to both "yank cheating" and invalid bills.

High four-way acceptance rate

Satisfy customers by accepting torn, wrinkled, faded, damp, dirty, limp, spindled or mutilated bills. Little or no bill preparation is required and bills can be fed four ways (in either direction, faceup or down).

Vending coupons

The MEI coupon program provides custom and generic coupons for free vends or dollar-value vends. The MEI coupon solution uses a unique security coding process to prevent coupons from crossing into competing companies' operations.

Low maintenance

The streamlined recognition system features sensors embedded under a sealed plastic bill path and elimination of the magnetic head and pinch roller—dramatically reducing debris buildup and the need for cleaning.

Resists vandalism

The VN 2500's enclosed sensors are designed to divert the liquid from "salting" attempts. If "salted," the bill acceptor is designed to recover without the need for a service call—continuing to operate and satisfy customers. And, the coin-resistant bezel design prevents coins from getting jammed when inadvertently inserted. Plus, an optional Armored bezel for protection against breaking is available.

Easy, time-saving setup

The VN 2500 bill acceptor's design ensures convenient access to all switches. Easy-to-read labels explain switch settings. With the VN 2500, options can be easily customized on location via a simple-to-use configuration coupon.

There are four bezel options for installing. Flat, Compact and VFM bezels allow space for a machine display. The Armored bezel is designed for soft drink machines in areas where break-ins are a potential threat.

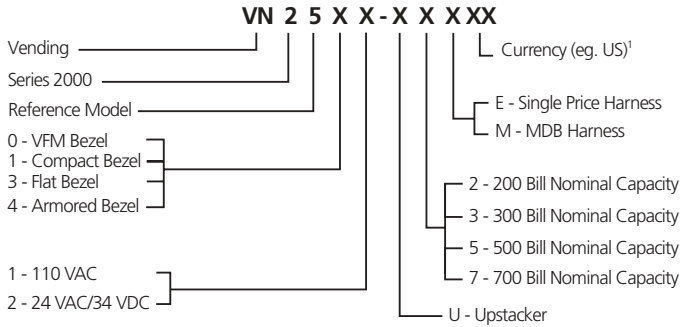
MEI FLASHPORT™ for future flexibility

The VN 2500 accepts \$1, \$2 and \$5 bills in circulation. Also, the unit's re-programmable flash memory enables quick, easy updates of software files such as new currency designs or value coupons.

mei
www.meiglobal.com

VN 2500 CONFIGURATION AND OPTIONS

VN 2500 Model Configuration Sample



VN 2500 BILL ACCEPTOR SPECIFICATIONS

Acceptance Rate

95% or greater for \$1, \$2, \$5 U.S. bills

Acceptance Rate

Lengthwise, four-way (face up or down, either direction)

Transaction Speed

Approximately 4 seconds (from bill insertion to completed bill-stacking)

Interfaces

MEI Serial Protocol
MDB
Multiple Pulse—Vending

¹ Call MEI for other currency options
² Armored bezel unit weighs 5 pounds

VN 2500 Options/Accessories

Part Number	Description
250066027	Series 2000 Locking Hasp Kit (two per box)
250061038	Armored Bezel
250062041	Sealed Cover (five per box)

VN 2500 Magazine Options

Part Number	Description
250063015	200 Bill Magazine
250061016	300 Bill Magazine
250069017	500 Bill Magazine
250068021	700 Bill Magazine

Power Sources

90 to 135 VAC, 60 Hz or 18 to 28 VAC, 60 Hz, 22 to 45 VDC

Power Consumption

Standby: 5 Watts, **Acceptance:** 10 Watts, **Full Stack Max:** 50 Watts

Escrow

One bill

Approximate Shipping Weight

4 pounds²

Environment

Operating temperature: -15° C to 60° C

Storage temperature: -40° C to 70° C



Options can be easily customized on location via a simple-to-use configuration coupon.



The fully enclosed, optical sensors ensure consistent, high-quality recognition, security and value.



The MEI coupon program provides custom and generic coupons for free vends or dollar-value vends.

For additional technical specifications, contact MEI or contact:

Representative:

UNITED STATES

MEI
1301 Wilson Drive
West Chester, Pennsylvania 19380
Tel: 1-610-430-2500
1-800-345-8215
Fax: 1-610-430-2694

UNITED KINGDOM

MEI
Eskdale Road
Winnersh Triangle
Wokingham
Berkshire, RG41 5AQ, England
Tel: +44 (0)1189 697 700
Fax: +44 (0)1189 692 668

MEXICO

MEI
Queretaro Plant
Av. Santa Rosa de Vitebo #10
Parque Industrial Finsa-Queretaro
El Marques, Qro, Mexico C.P. 76246
Tel: 52 42 382000
Fax: 52 42 3820-01

SWITZERLAND

MEI
109, ch. Pont-du-Centenaire
Plan-les-Ouates
P.O. Box 2650
1211 Geneva 2, Switzerland
Tel: 41 22 884 0505
Fax: 41 22 884 0504

WEB SITE: www.meiglobal.com

TECHNICAL SUPPORT: meitech.support@effem.com

CUSTOMER SUPPORT: meicustomer.service@effem.com

The MEI Device is a registered mark. Information is subject to change without notice. MEI has made every effort to ensure that the information in this document is accurate. However, we cannot be held responsible for any errors or omissions.

©2004 Mars, Incorporated. All rights reserved.

meiTM
www.meiglobal.com

MEI is ISO 9001 certified.

